

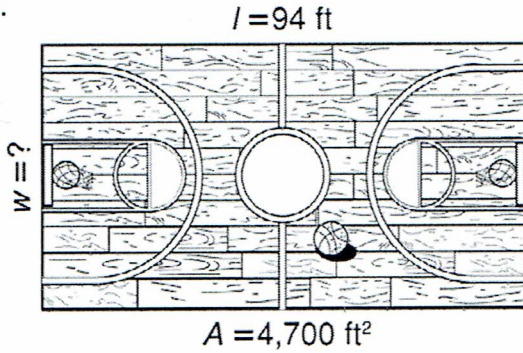
LESSON
7

Introduction to Algebra

Challenge: Regulation Sizes

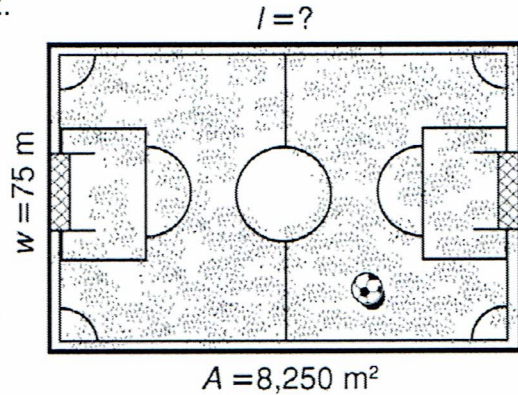
Write a multiplication equation for the area of each regulation field or court. Then solve the equations to find the missing measurements. Remember: Area = length • width, or $A = l \cdot w$.

1.



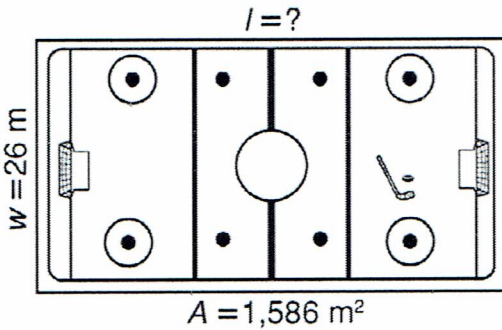
What is the width of a regulation basketball court?

2.



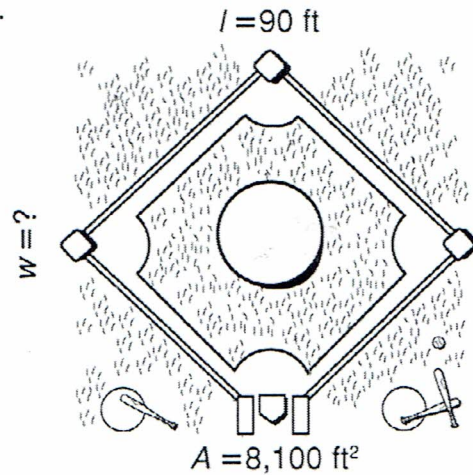
What is the length of a regulation soccer field?

3.



What is the length of a regulation ice hockey rink?

4.



What is the width of a regulation baseball diamond?